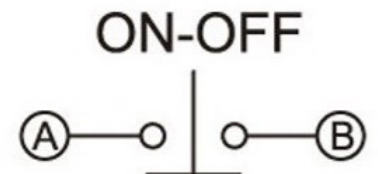
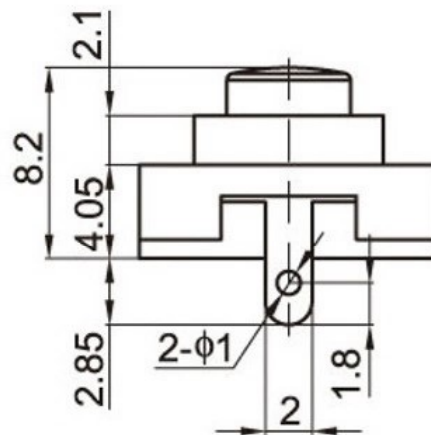
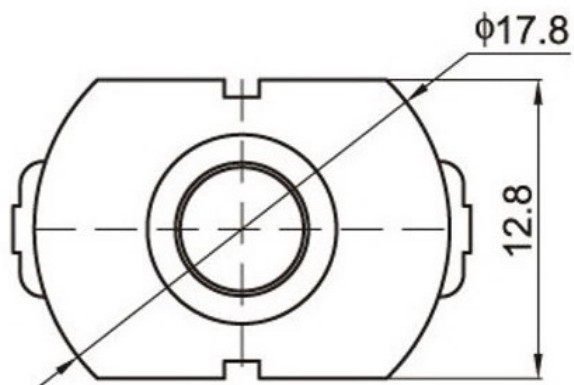
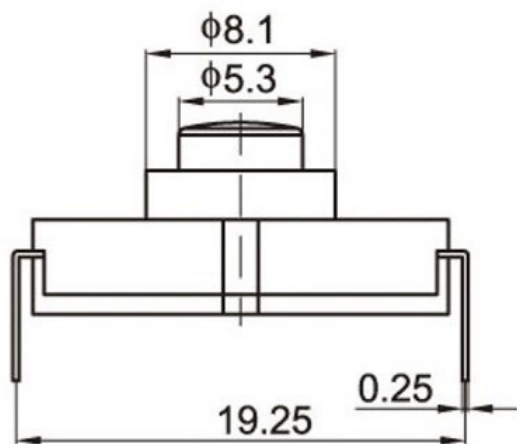


注：“*”□表示关键尺寸(3个)。

| NO. | PARTS | MATERIALS | Q'TY | | TOLERANCE UNLESS SPECIFIED | | | | |
|-----|-----------|--------------------|------|----------------|-------------------------------|-------|------------|--------------------------|-----------|
| 8 | | | | | | | | | |
| 7 | | | | | | | | | |
| 6 | | | | | WITHIN 1.5mm : ±0.1mm | A | 2012-8-13 | 初版 | |
| 5 | SPRING | SUS | 1 | NATURAL | OVER 1.5mm : ±0.2mm | ISSUE | DATE | DESCRIPTIONS OF REVISION | APPD. |
| 4 | CAM STICK | SUS | 1 | NATURAL | TITLE : VERTICAL PUSH SWITCH | | UNIT : mm | DRWG NO.: | |
| 3 | CASE | PA66/BRASS STRIP | 1 | GREY/Ag PLATED | MODEL: | | SCALE: 5:1 | DWN. | 2012-8-13 |
| 2 | COVER | PA66 | 1 | BLACK | 东莞市高迪电子有限公司 | | | CHK'D | |
| 1 | KNOB | PA66/PBS C5210R-EH | 1 | WHITE/Ag CLAD | | | | APPD. | |

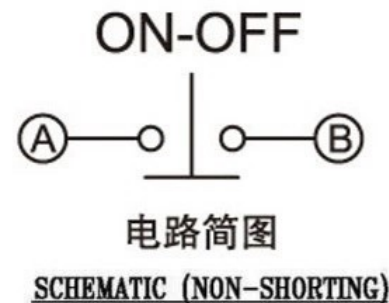
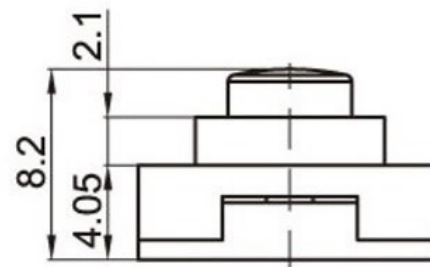
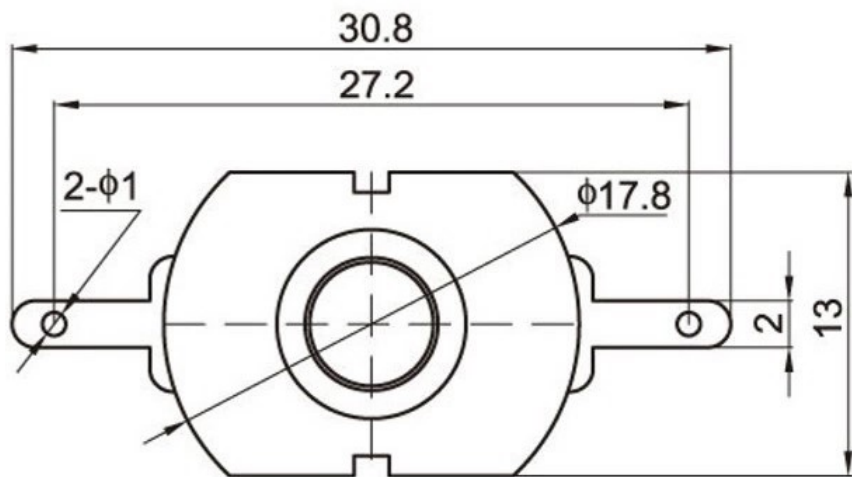
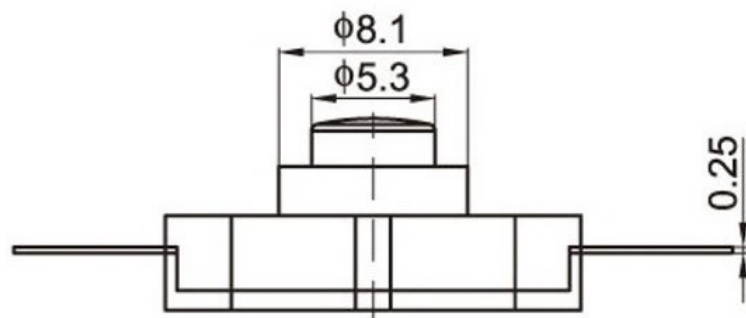
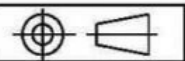


电路简图

SCHEMATIC (NON-SHORTING)

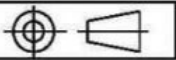
注：“*”□表示关键尺寸(3个)。

| NO. | PARTS | MATERIALS | Q'TY | | TOLERANCE UNLESS SPECIFIED | | | | | |
|-----|-----------|--------------------|------|----------------|-------------------------------|-------|-----------|--------------------------|------------|-----------|
| 8 | | | | | | | | | | |
| 7 | | | | | | | | | | |
| 6 | | | | | WITHIN 1.5mm : ±0.1mm | A | 2012-8-13 | 初版 | | |
| 5 | SPRING | SUS | 1 | NATURAL | OVER 1.5mm : ±0.2mm | ISSUE | DATE | DESCRIPTIONS OF REVISION | APPD. | |
| 4 | CAM STICK | SUS | 1 | NATURAL | TITLE : VERTICAL PUSH SWITCH | | | | UNIT : mm | DRWG NO.: |
| 3 | CASE | PA66/BRASS STRIP | 1 | GREY/Ag PLATED | MODEL: | | | | SCALE: 5:1 | |
| 2 | COVER | PA66 | 1 | BLACK | 东莞市高迪电子有限公司 | | | | DWN. | 2012-8-13 |
| 1 | KNOB | PA66/PBS C5210R-EH | 1 | WHITE/Ag CLAD | | | | | CHK'D | |
| | | | | | | | | APPD. | | |

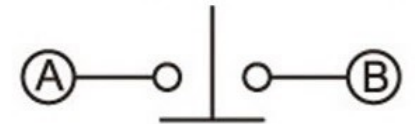


注：“*”□表示关键尺寸(3个).

| NO. | PARTS | MATERIALS | Q'TY | | TOLERANCE UNLESS SPECIFIED | | | | |
|-----|-----------|--------------------|------|----------------|-------------------------------|-------|-----------|--------------------------|-----------|
| 8 | | | | | | | | | |
| 7 | | | | | | | | | |
| 6 | | | | | WITHIN 1.5mm : ±0.1mm | A | 2012-8-13 | 初版 | |
| 5 | SPRING | SUS | 1 | NATURAL | OVER 1.5mm : ±0.2mm | ISSUE | DATE | DESCRIPTIONS OF REVISION | APPD. |
| 4 | CAM STICK | SUS | 1 | NATURAL | TITLE : VERTICAL PUSH SWITCH | | | UNIT : mm | DRWG NO.: |
| 3 | CASE | PA66/BRASS STRIP | 1 | GREY/Ag PLATED | MODEL: | | | SCALE: 5:1 | DWN. |
| 2 | COVER | PA66 | 1 | BLACK | 东莞市高迪电子有限公司 | | | | 2012-8-13 |
| 1 | KNOB | PA66/PBS C5210R-EH | 1 | WHITE/Ag CLAD | | | | | 2012-8-13 |
| | | | | | | | | CHK'D | |
| | | | | | | | | APPD. | |

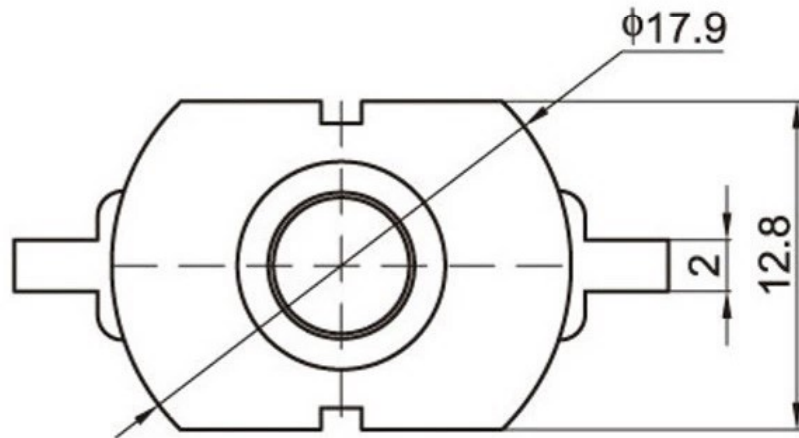
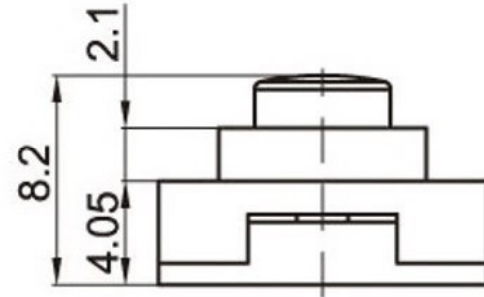
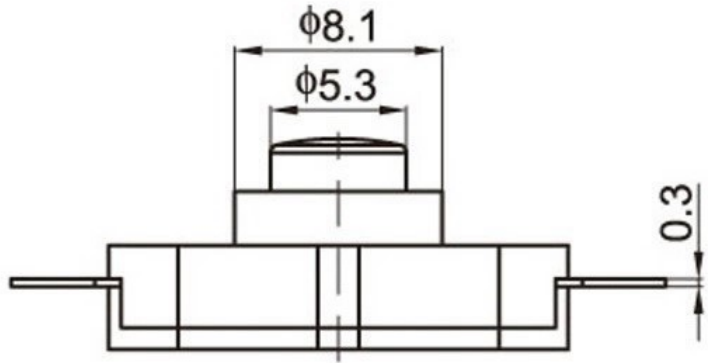


无锁(常闭.接通)



电路简图

SCHEMATIC (NON-SHORTING)



注：“*”□表示关键尺寸(3个).

| NO. | PARTS | MATERIALS | Q'TY | TOLERANCE UNLESS SPECIFIED | ISSUE | DATE | DESCRIPTIONS OF REVISION | APPD. |
|-----|-----------|--------------------|------|--|------------------------------|-----------|--------------------------|-----------------|
| 8 | | | | | | | | |
| 7 | | | | | | | | |
| 6 | | | | WITHIN 1.5mm : ±0.1mm OVER 1.5mm : ±0.2mm | A | 2012-8-13 | 初版 | |
| 5 | SPRING | SUS | 1 | NATURAL | ISSUE | DATE | DESCRIPTIONS OF REVISION | APPD. |
| 4 | CAM STICK | SUS | 1 | NATURAL | TITLE : VERTICAL PUSH SWITCH | | | UNIT : mm |
| 3 | CASE | PA66/BRASS STRIP | 1 | GREY/Ag PLATED | MODEL: | | | DRWG NO.: |
| 2 | COVER | PA66 | 1 | BLACK | SCALE: 5:1 | | | DWN. 2012-8-13 |
| 1 | KNOB | PA66/PBS C5210R-EH | 1 | WHITE/Ag CLAD | 东莞市高迪电子有限公司 | | | CHK'D 2012-8-13 |
| | | | | | | | | |